



# W.E. Couplings Ltd

Bespoke Hose & Fittings

Est. 1991

Units 2 & 3B Grimeford Industrial Estate, Grimeford Lane, Anderton, Lancashire PR6 9HL  
www.we-couplings.com Tel: +44 (0)1257 475101

## Introducing the WEFlat 21 for Layflat hose coupling

Available in hard anodized aluminium and stainless steel, the WEFlat 21 is designed to provide a rapid deployment coupling system for layflat hose with little reduction in bore size.

Layflat hose is used all around the world in applications such as fire fighting, where a rapid deployment and compact storage of the hose is necessary. W.E. Couplings Ltd design, manufacture and test the WEFlat range in our factory in NW England, and can customize the components to match exactly the required application, whether that is simply joining two lengths of layflat hose, or using our range of adaptor components to connect to for instance a STORZ or Victaulic.



The 6" WeFlat21 with BSP Thread

W.E. Couplings follow rigorous quality & testing procedures to ensure the reliability and longevity of the fittings, and work closely with the customer to tailor the product to their needs. This involves the application of various clamping methods such as single or multi bolt, or for a very fast assembly time the 'quick clamp'. Please also refer to the WeFlat 1200 Spec Sheet.



4"



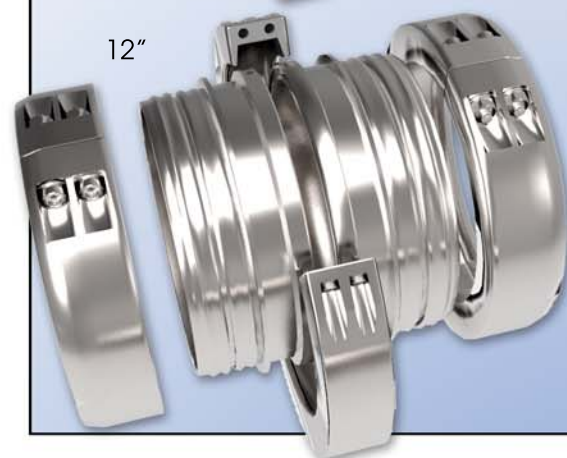
6"



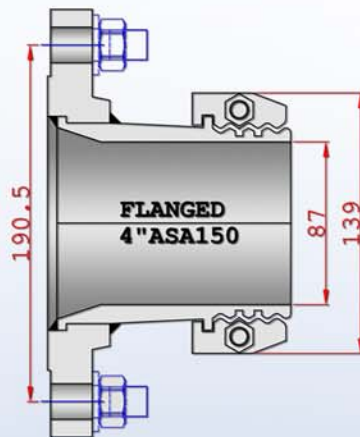
8"



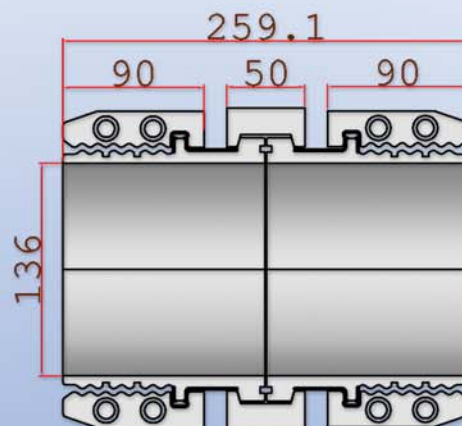
10"



12"



4" WeFlat21 flanged adaptor



6" WeFlat21 joining clamp



Testing the WeFlat 21 on two different hose brands